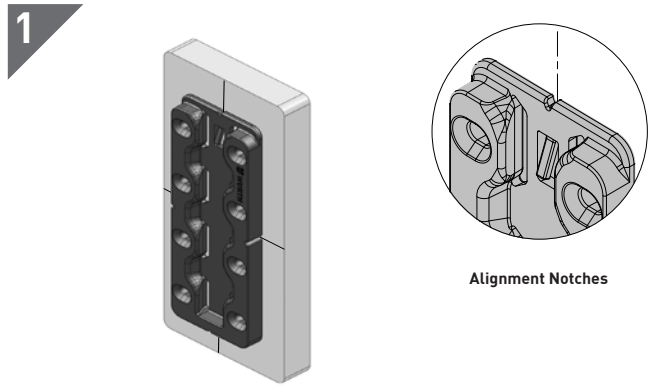


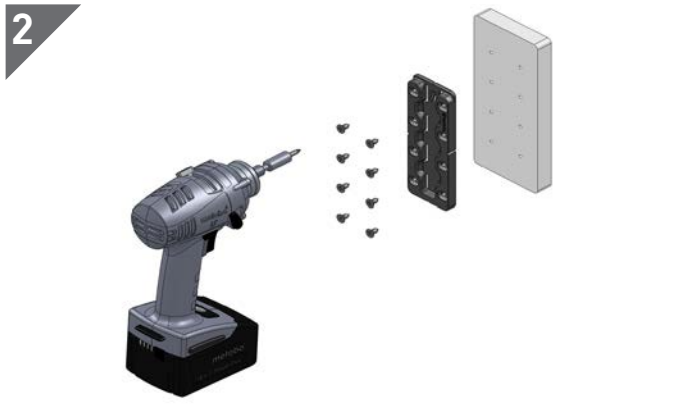


Flush Mounting Horizontal or Vertical

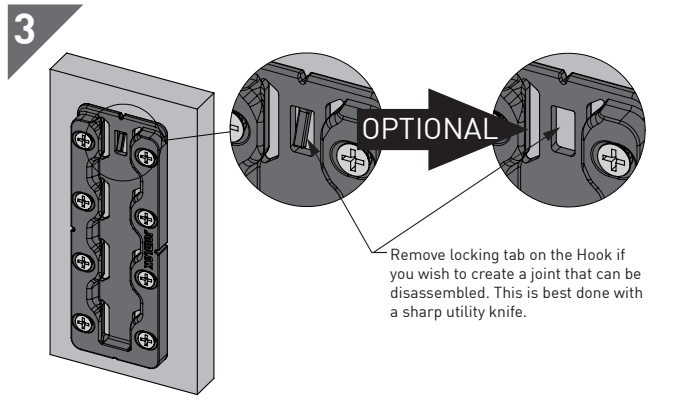


Material	High Strength Reinforced Nylon
Colour	Black
Fixing Method	8G Screws (16x) or Glue

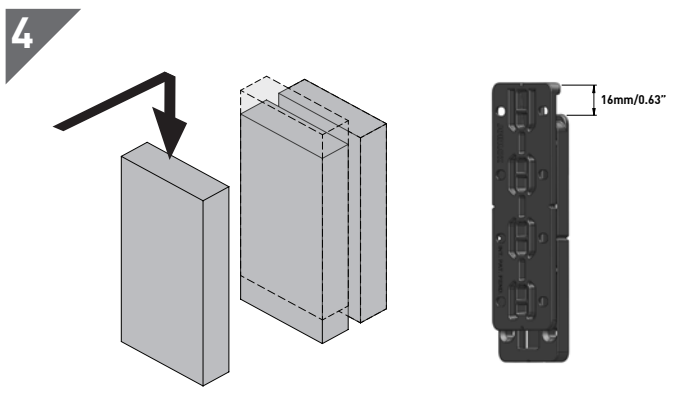
Mark center lines, vertical and horizontal, on both substrates. Flush mounting requires no additional preparation. Line the notches in each component (Hook shown here) with the center lines. **Mark-Out Template** can also be used.



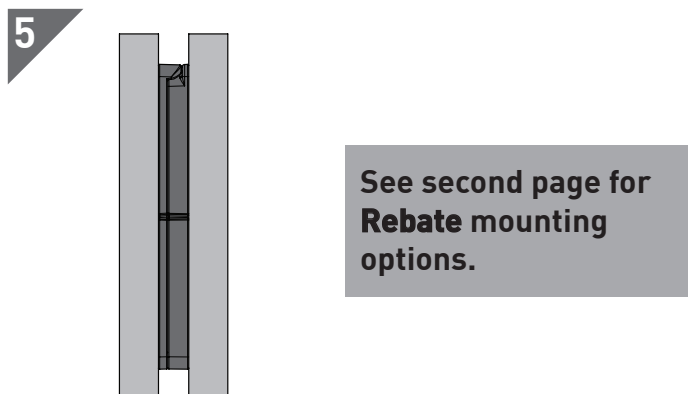
Hold the component in place and fasten to the substrate/surface with 8 x 8G screws. Repeat for matching component. Ensure sufficient screw embedment in substrate. **IMPORTANT: All screw heads must be flush.**



IMPORTANT NOTE: Prior to assembly, establish whether the joint is to be permanent or will need to be disassembled.



Assemble the joint remembering the Pro 55 only needs to travel 1 pitch for full engagement. (16mm-5/8"). If horizontal, push and slide Left to Right or Right to left.

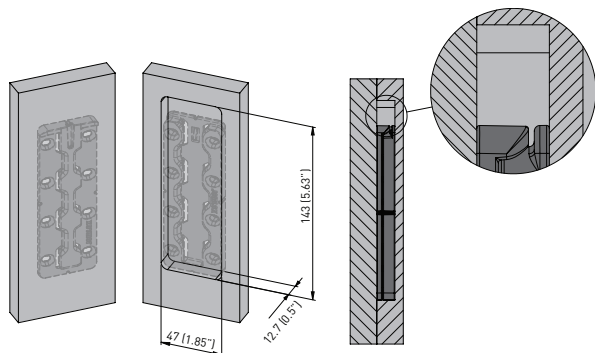


See second page for **Rebate** mounting options.

When assembled, the substrates will be separated by the thickness of the engaged Pro 55. (12.7mm - 1/2")

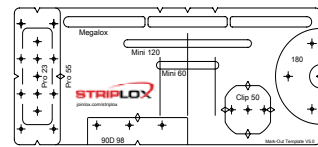
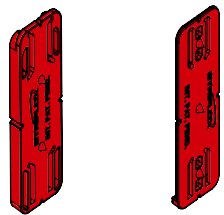
Rebate Mounting

1



Full Rebate - 1 of the substrate mounting faces is rebated the full depth as shown. Ensure sufficient screw embedment in substrate. Recess 12.7mm/1/2"

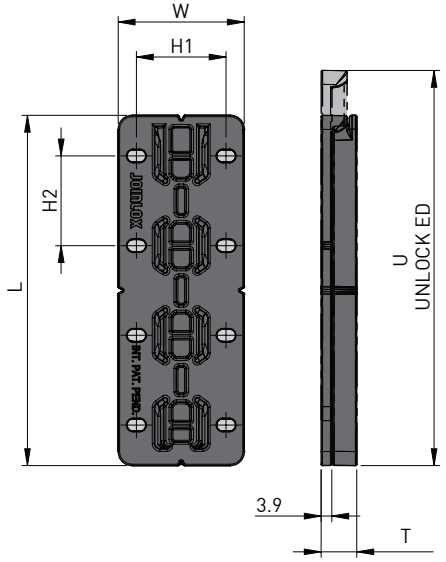
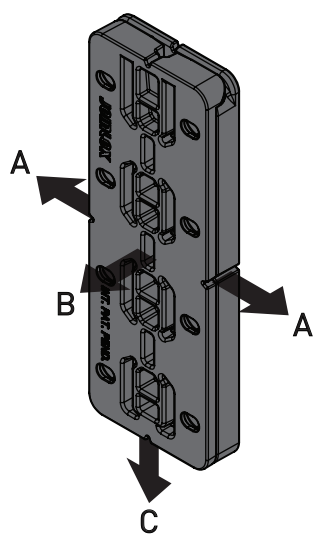
Installation Aids



Striplox Markout Jigs
These jigs can be used to accurately mark holes for mounting the Pro 55. Mount one half of the Pro 55. Attach correct jig and press in position to find centres for mounting to other half.

Striplox Mark-Out Template
Developed to aid in the installation of all of the Striplox Products.

Dimensions and Load Capacity



Dimensions	Ind. Load Capacity
-------------------	---------------------------

Units	W	L	T	U	H1	H2	A	B	C
Metric (mm/kg)	45	126	12.8	142	32	32	200	106	200
Imperial (in/lbs)	1.77	4.96	0.5	5.59	1.26	1.26	440	233	440

"Striplox" products are designed and tested for a range of applications. Product use is subject to variable materials and conditions. Technical information and load capacities are a guide only without warranty. A1 Cabinet Supplies Pty Ltd will not be liable for any subsequent damage to, or loss from, the use of these products or this information.

Visit Website: www.striplox.com