

# 180° Surface Connector - 180D

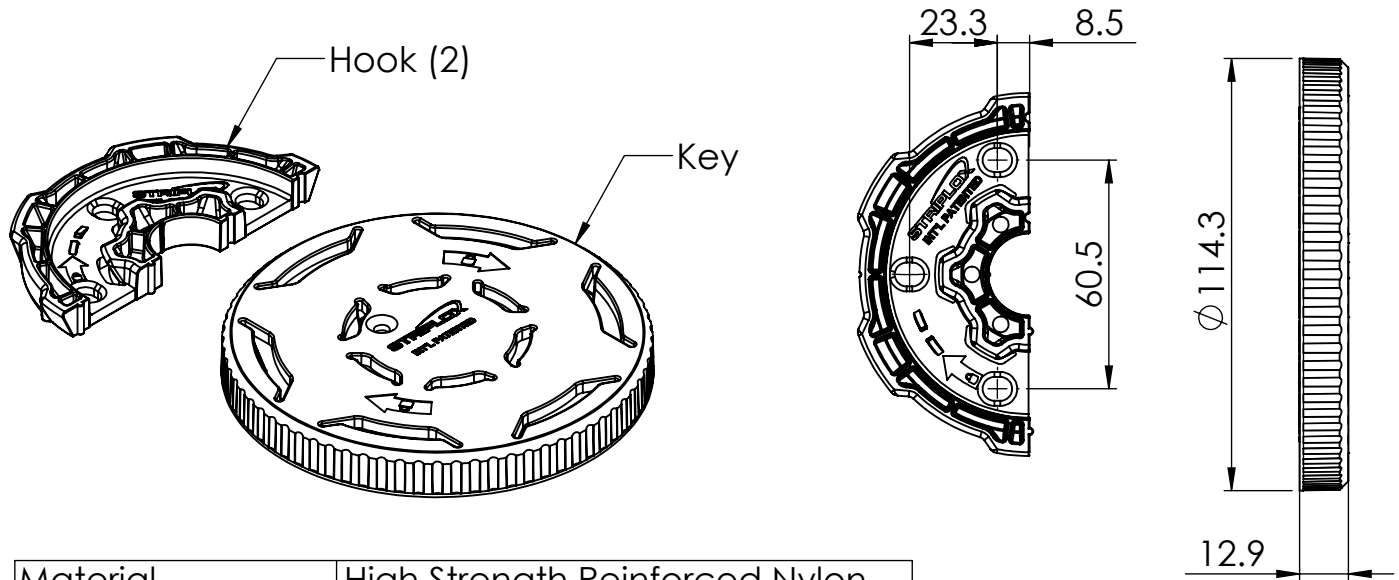


## Rapid Assembly System

### Mounting Data Sheet - Metric Version

All dimensions in mm

#### General Dimensions

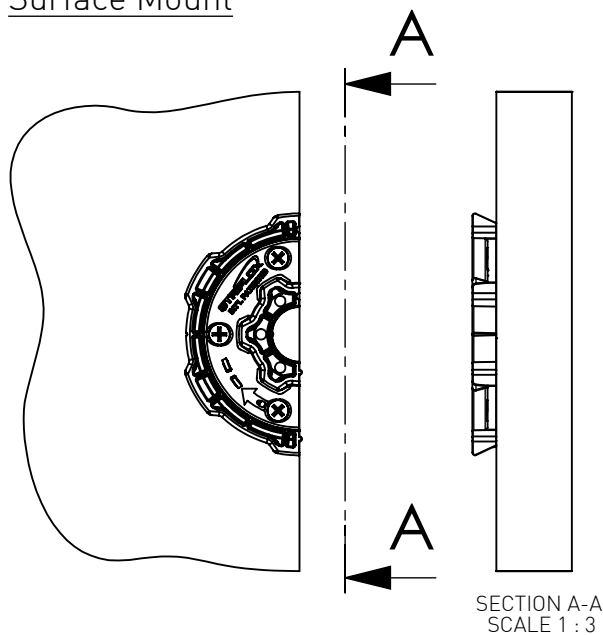


Material	High Strength Reinforced Nylon
Colour	Black/White
Fixing Method	8g Screws/Euro (x6) or Glue

\*Ensure sufficient screw embedment in substrate

#### Mounting Dimensions

##### Surface Mount



##### Recess Mount

