

# 4" Right Angle Connector -90D 98mm

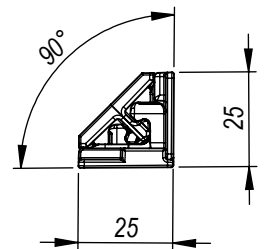
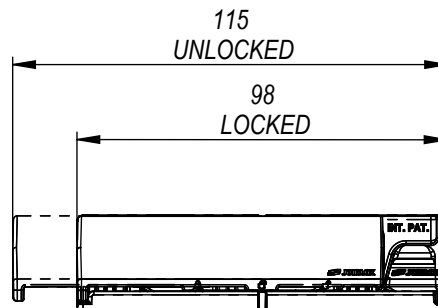
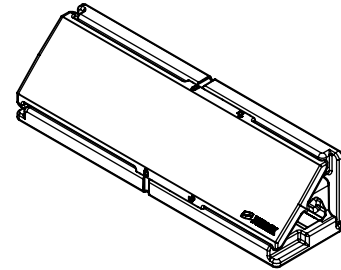
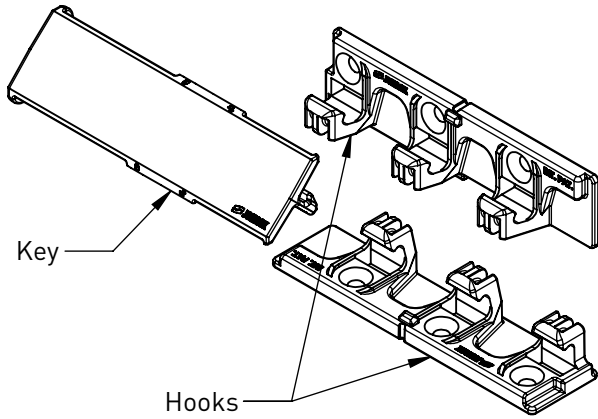
Rapid Assembly Systems



## Mounting Data Sheet - Metric Version

All dimension in mm

### General Dimensions



Material	High Strength Reinforced Nylon
Colour	White or Black
Fixing Method	8g screws (6x)

\*Ensure sufficient screw embedment in substrate.

### Mounting Dimensions

