

No.20 Hidden Joiner - Mini 60

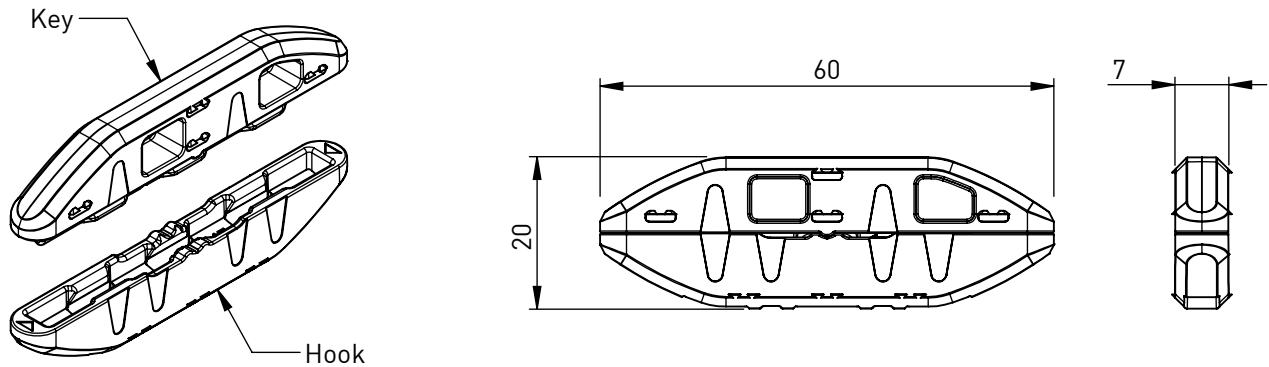
Rapid Assembly Systems



Mounting Data Sheet - Metric Version

All dimension in mm

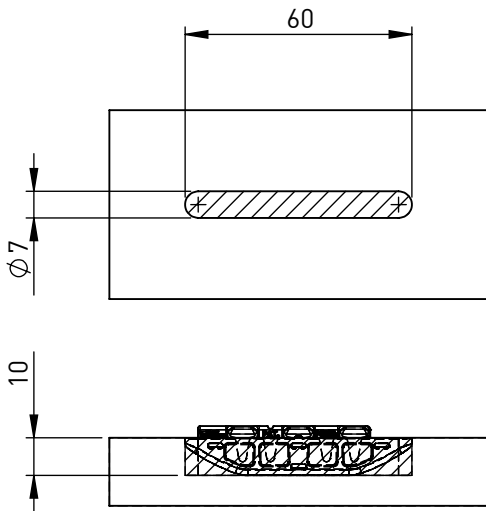
General Dimensions



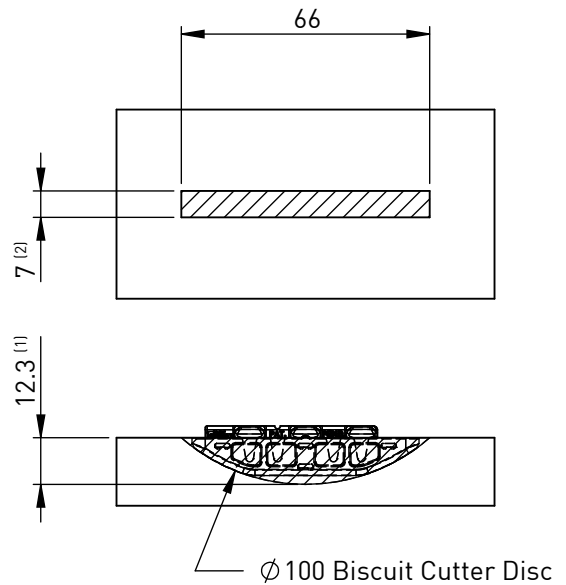
Material	High Strength Reinforced Nylon
Colour	Black
Fixing Method	Glue CA

Mounting Dimensions

Option A - Router Cut - See Installation Video



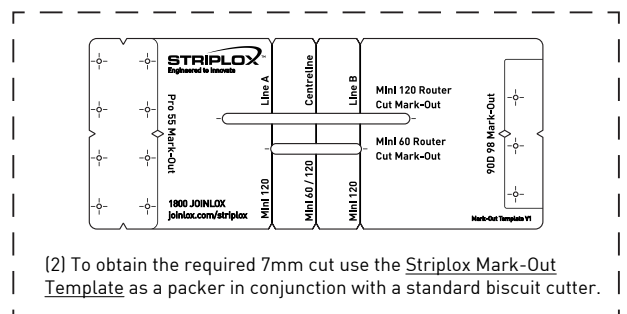
Option B - Biscuit Cutter - See Installation Video



(1) #20 biscuit cutter depth setting

Notes:

1. Groove detail typical for both Hook and Key halves.
2. Key shown in groove.



(2) To obtain the required 7mm cut use the Striplox Mark-Out Template as a packer in conjunction with a standard biscuit cutter.