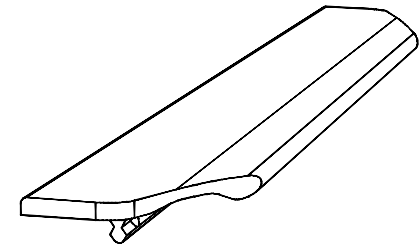


Drawer pull - for drawer and door handles

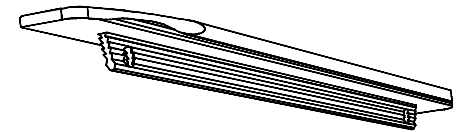
Drawer pull is an aluminium drawer or door handle specifically designed to be quickly and neatly installed.

Use a 3mm wide small diameter saw or router to cut a groove in the top edge of your drawer or door and tap in lightly with a soft faced hammer.

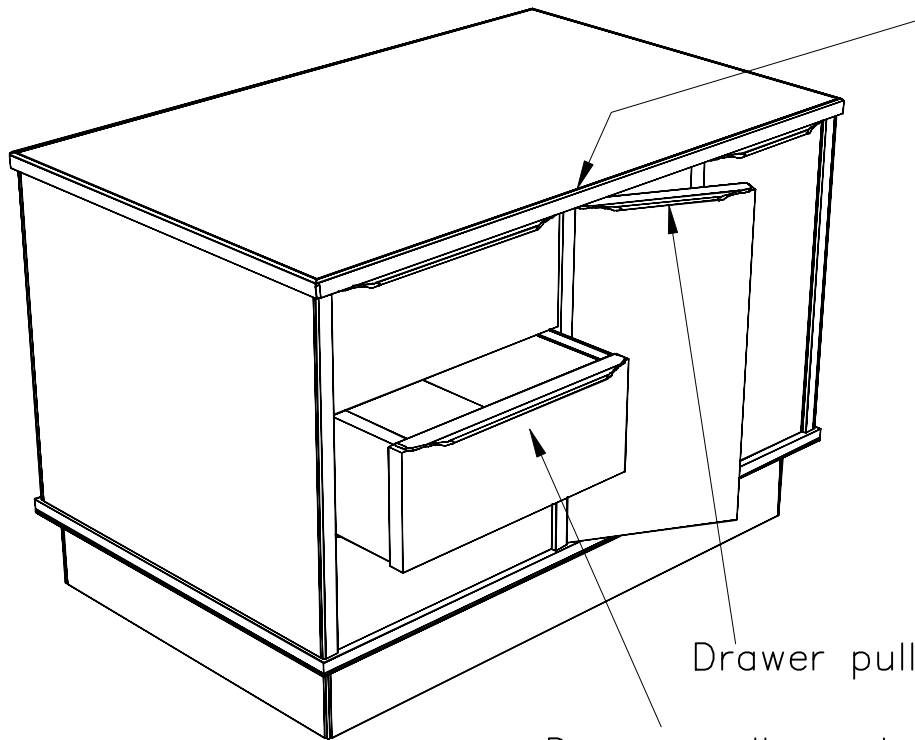
When installing handles next to each other, make sure the design allows enough clearance for opening of doors-see the diagram below. The angle "cut-off" of the drawer pull is suitable for most door hinge systems.



View of Drawer pull from Above



View of Drawer pull from underneath

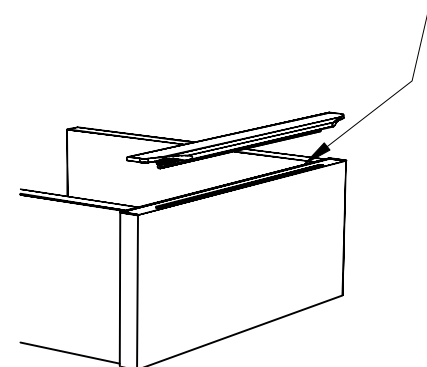


Check that there is adequate clearance when two drawer pulls are installed side by side

Drawer pull as door handle

Drawer pull as drawer handle

cut 3mm groove in top edge



Machining Detail